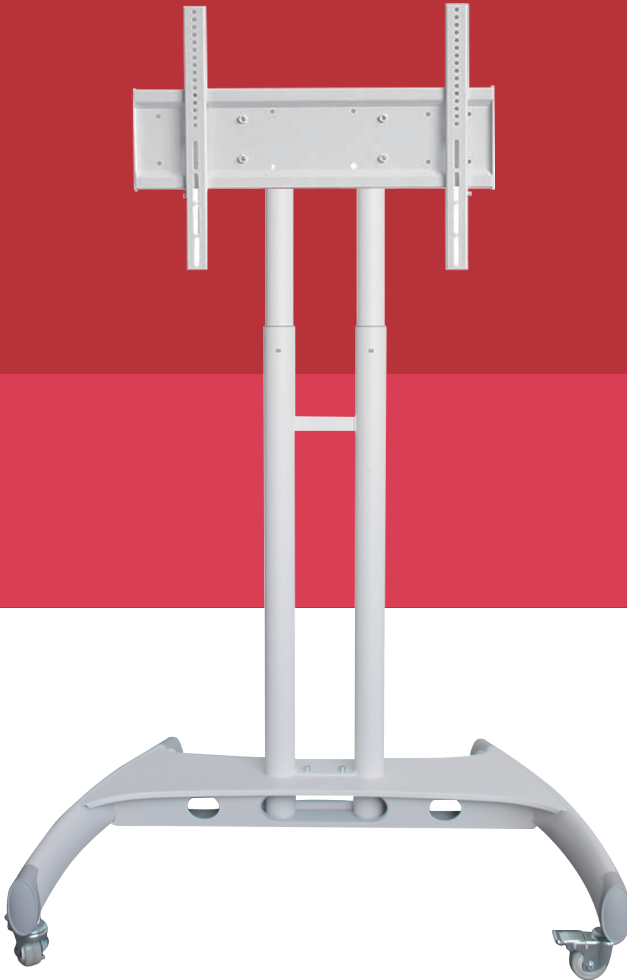


# Mobile Stand Installation Instruction

## Horizontal & Vertical Method



**User Manual**

# Content

|                                     |   |
|-------------------------------------|---|
| Warning.....                        | 1 |
| Horizontal install accessories..... | 2 |
| Horizontal install instruction..... | 3 |
| Vertical install accessories.....   | 8 |
| Vertical install instruction.....   | 9 |

## WARNING!

Improper installation may result in serious personal injury or property loss.

Please read the instructions carefully before installation.

1.If you do not understand the instructions , please contact our after-sales service or qualified local installation personnel.

2.Do not install when products or accessories are damage or loss. When it happened , please contact us for repair and replacement.

3. This stand is only applicable to our company's specify model light panels . If you install the light panels not belong to our company, we shall be responsible for any adverse consequences.

4.This stand contains moving wheels, please be careful when using.Please fix 4 pulleys for use after moving.







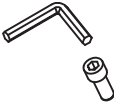

5.Do not use this product for any purpose other than the original design.

6.The manufacturer shall not be responsible for any damages caused by modification, improper installation, installation beyond the specified weight range, etc. irregular behavior.

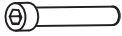




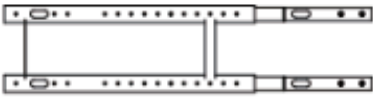



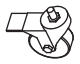


7.Please look after your children. Child climbing may cause the device to tip over, resulting in death or serious injury.

8.It is recommended that at least two people work together to install.

9. After installation, please check again whether screws and other details are in good condition before using.

|  |   |   |   |   |   |   |   |
|--|---|---|---|---|---|---|---|
|  |  |  |  |  |  |  |  |
| Tightening<br>Direction  | Loosening<br>Direction  | Phillips<br>Screwdriver   | Metre Ruler   | Adjustment  | By Hand   | Hex Wrench  | +Tightening<br>-Loosening   |

**Horizontal install accessories:**

| <b>Picture</b>  | <b>Item</b>        | <b>Qty</b> |
|---|--------------------|------------|
|    | <b>A(M8*65MM)</b>  | <b>8</b>   |
|    | <b>C(M8*16MM)</b>  | <b>8</b>   |
|    | <b>D(M8*50MM)</b>  | <b>4</b>   |
|    | <b>E(M8*130MM)</b> | <b>1</b>   |
|    | <b>F</b>           | <b>1</b>   |
|     | <b>G</b>           | <b>1</b>   |
|    | <b>H</b>           | <b>2</b>   |
|    | <b>I</b>           | <b>1</b>   |
|   | <b>J</b>           | <b>1</b>   |
|  | <b>K</b>           | <b>4</b>   |
|   | <b>L</b>           | <b>2</b>   |
|  | <b>M</b>           | <b>1</b>   |

## Horizontal install instruction:

**Step 1: Fix the accessories according to the position indicated by the pink arrow with the corresponding (Item A) screws.**

**Noted: Install from bottom to top**

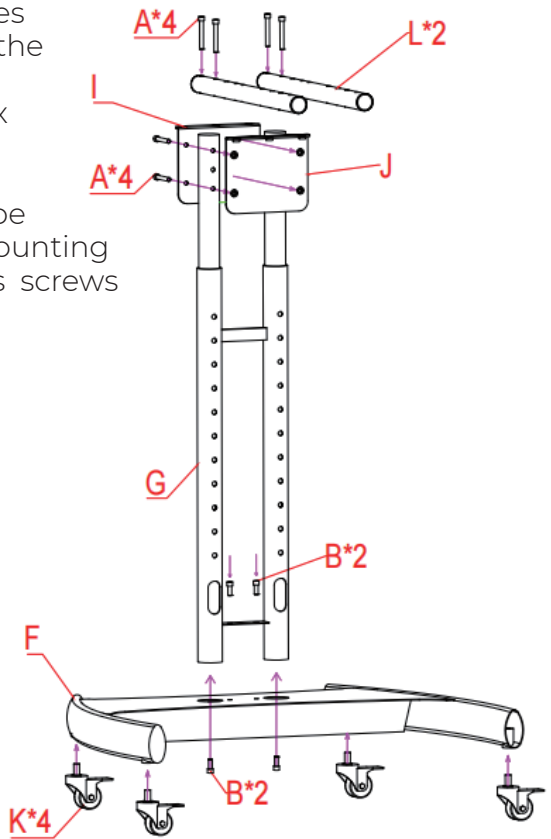
- ▶ First Install the four casters (Item **K**) on the base ( Item **F**);

Insert the lifting rod (Item **G**) into the base, and fix the upper and lower parts with two short 2pcs screws (Item **B**);

Place the two mounting plates (**I&J**) on the front and rear of the

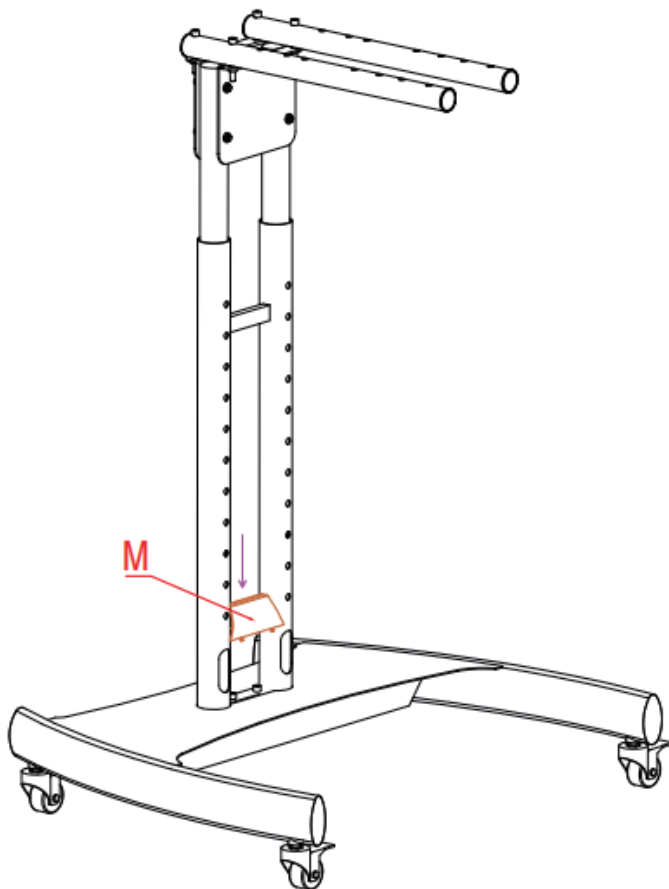
lifting rod respectively, and fix them with long 4pcs screws (Item **A**)

Place the 2pcs mounting tube separately (Item **L**) on the mounting plate and fix it with long 4pcs screws (Item **A**);



## Step2 : completely the installation of stand

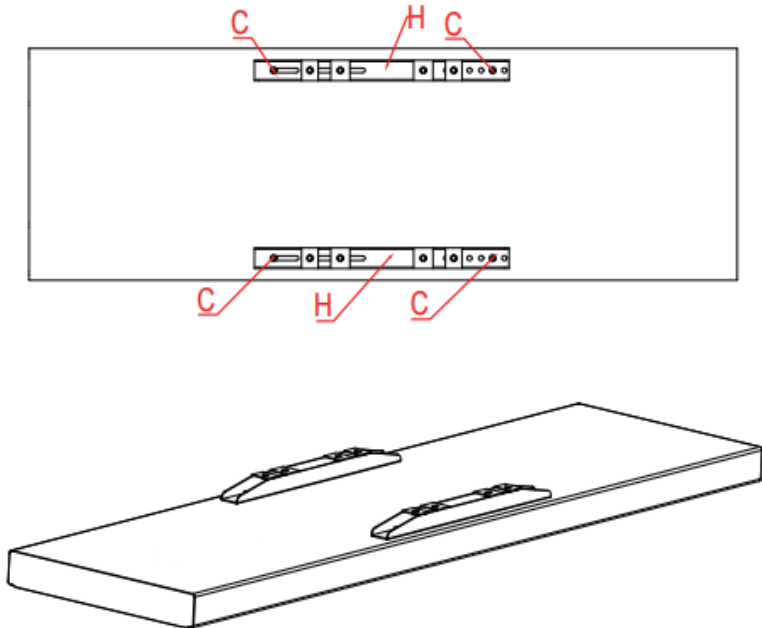
- ▶ Install the aesthetic cover (Item **M**) on the stand.  
then the stand finish to be installed



### Step3 :Install horizontal accessories on the red therapy panel

- ▶ Install the mounting kit (Item **H**) on the Red Therapy Light Panel with a short 4pcs screws (Item **C**) corresponding to the hole position

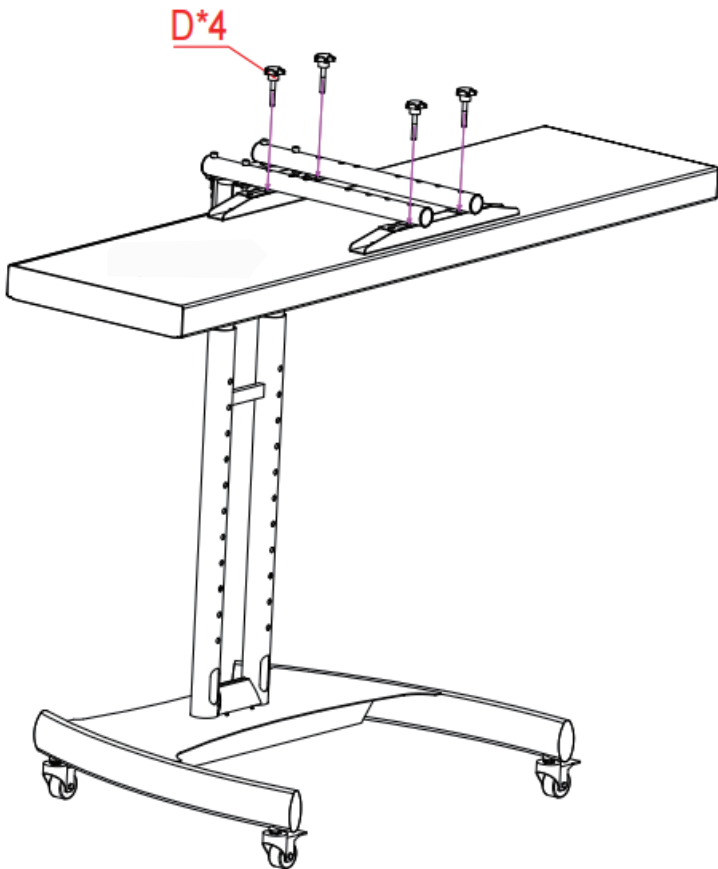
\*Noted : The center position of the installed Light Panel should be consistent with the installation component. It should not be too tilted to one side, so as not to cause the tipping issues after installation.



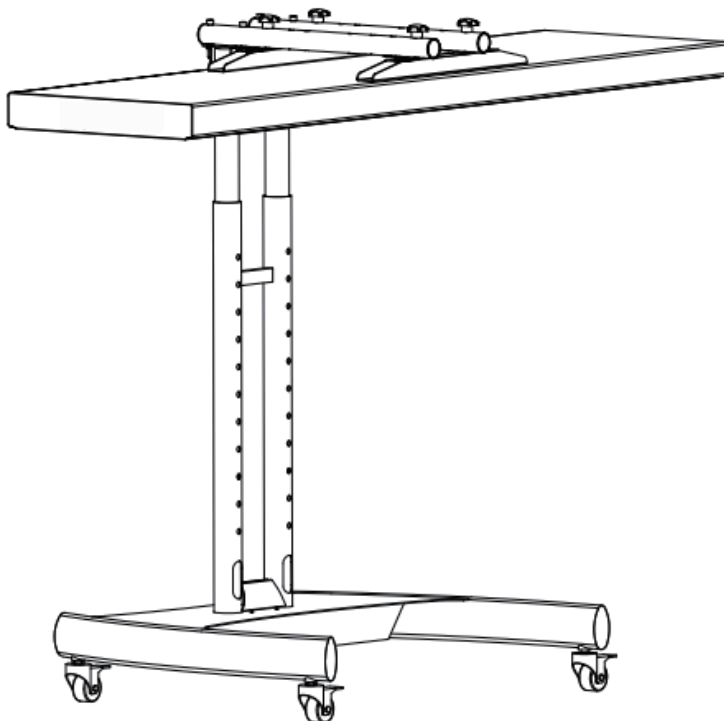
## Step 4: Install the red therapy light on the stand

- ▶ Install the Light Panel on the stand with 4pcs handle screws (Item **D**)

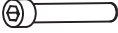




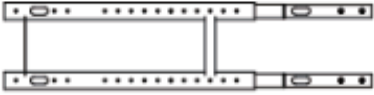


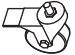
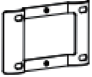


\*Noted : the larger Light Panel needs the assistance of more than one person to install, be careful of the light body sliding during installation



**Step 5: completely install well the red therapy light on the stand**



### Vertical install accessories

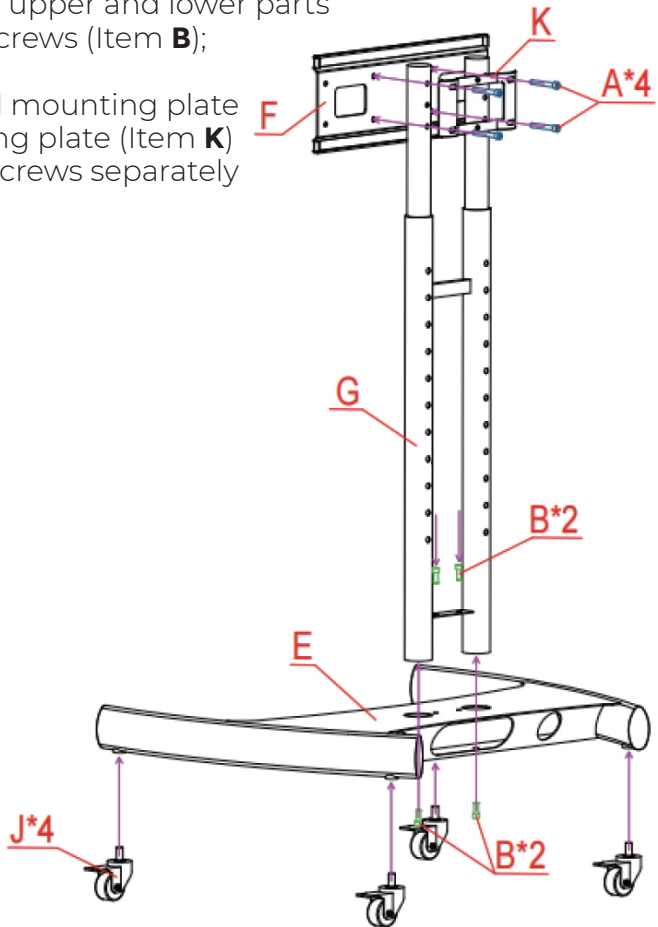
| Picture   | Item               | Qty      |
|---|--------------------|----------|
|    | <b>A(M8*65MM)</b>  | <b>8</b> |
|    | <b>C(M8*16MM)</b>  | <b>8</b> |
|    | <b>D(M8*130MM)</b> | <b>1</b> |
|    | <b>E</b>           | <b>1</b> |
|    | <b>F</b>           | <b>1</b> |
|     | <b>G</b>           | <b>1</b> |
|    | <b>H</b>           | <b>2</b> |
|    | <b>I</b>           | <b>1</b> |
|   | <b>J</b>           | <b>4</b> |
|  | <b>K</b>           | <b>1</b> |
|  | <b>L</b>           | <b>2</b> |
|  | <b>M</b>           | <b>2</b> |

# Vertical install instruction

**Step 1: Fix the accessories according to the position indicated by the pink arrow with the corresponding screws.**

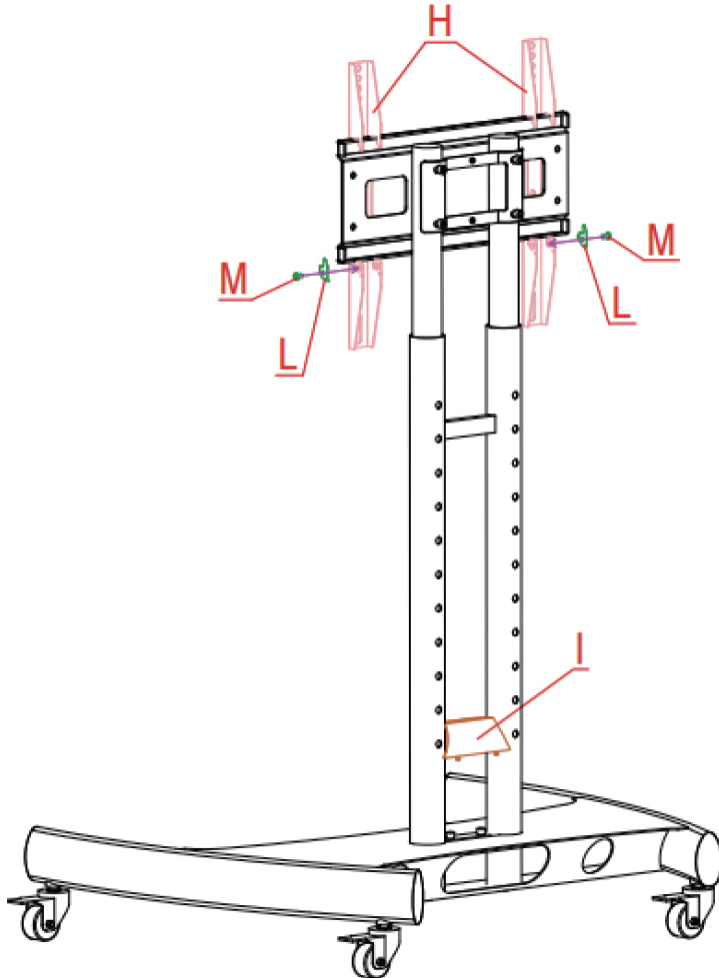
**Noted: Install from bottom to top**

1. Install the four casters (Item **J**) on the base (Item **E**);
2. Insert the lifting rod (Item **G**) into the base, and fix the upper and lower parts with two short screws (Item **B**);
3. Fix the vertical mounting plate (Item **F**) and fixing plate (Item **K**) with 4pcs long screws separately (Item **A**);



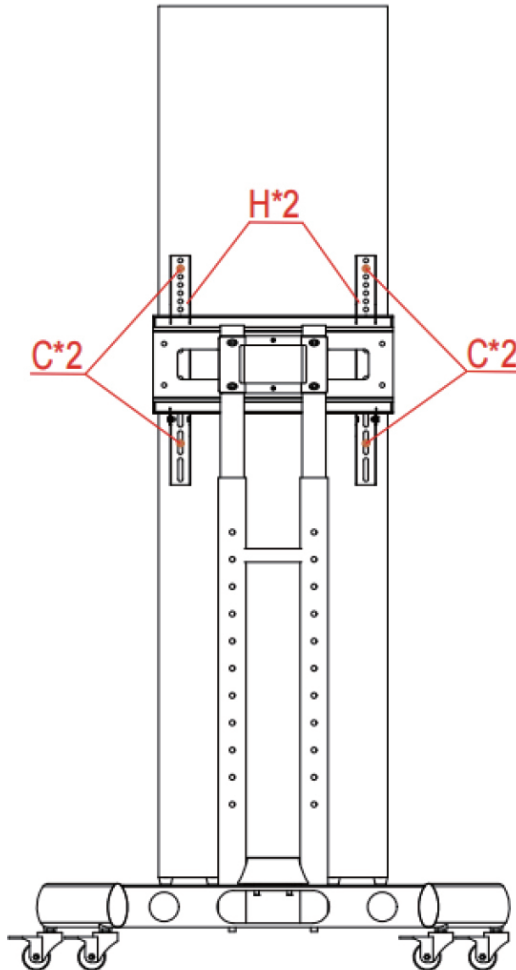
## Step2 :Vertical Accessories Installation part

- ▶ Install the aesthetic cover (Item **I**) on the stand ;  
The vertical mounting bracket (Item **H**) is placed on the vertical mounting plate (Item **F**), and the lower end is fixed with screws (Item **M**) and fixing pieces (Item **L**).  
Now complete the installation of whole stand

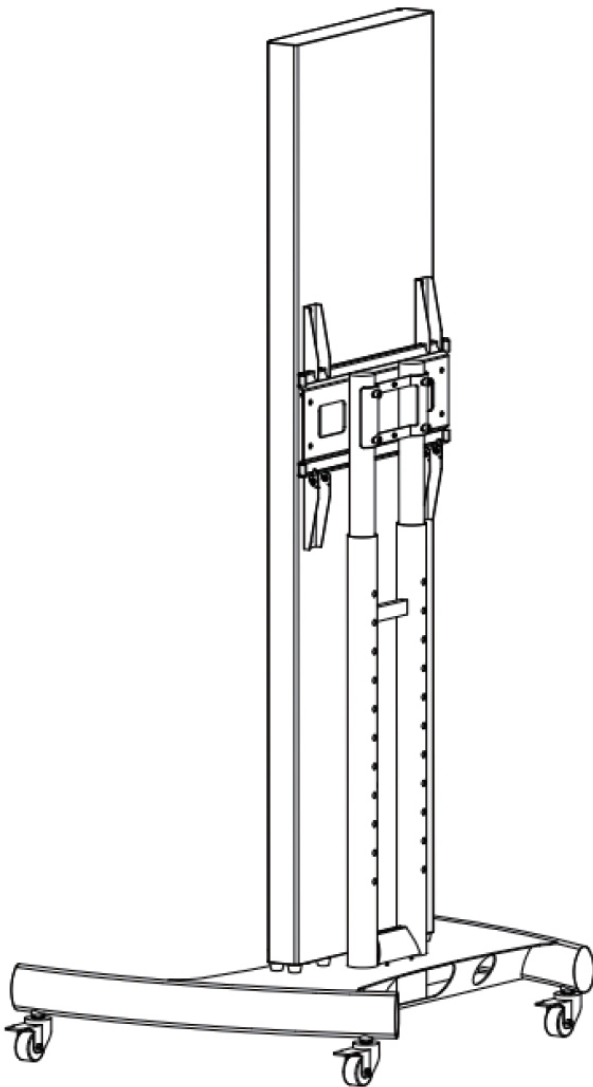


### Step 3: Install the panel on the vertical stand

The vertical mounting piece (Item **H**) can be moved left and right on the vertical mounting plate, adjusted to the position corresponding to the screw hole of the Red Therapy Light Panel, and fixed the light body with 4pcs screw in total (Item **C**).



**Step 4: completely install well the red therapy light on the Vertical stand**





Our products are not intended to diagnose, treat, cure, or prevent any disease. Our products are low-risk, general wellness / fitness products in accordance with the "General Wellness: Policy on Low Risk Devices" draft released January 20, 2015.